

Part number

CMV 03 G



Brief description:

hoods with two levers, size "57.27" insulated 830V, top entry, Pg16, insulated 830V version, IP66

Product description

Version	insulated 830V version
Series	Hoods with 2 levers
Product type	with 2 levers
Variant	top entry
Family	830V enclosures for CME inserts
Size	size "57.27" insulated 830V

Technical data

Material	metal
IP degree of protection	IP66 (and IP69K DIN 40050 - 9)
Cable entry	Pg16

Further technical details

Weight	220,00 g
---------------	----------

Approvals / Standards

Quality mark	 (type:4/4X/12),  , EAC
Conformity	CQC, CE

General ordering information

EAN13 code	8015747031745
Tariff number	85369095

Packaging Information

Sub-packaging weight	1,10 kg
Sub-packaging description	Plastic packaging
Sub-packaging quantity	5 Pcs
Sub-packaging EAN barcode	8015747031752

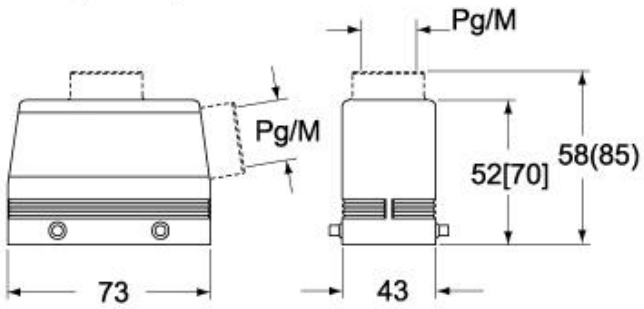
Part number

CMV 03 G



Catalogue drawings

**CMO [CMAO] CMV (CMAV) - MMO [MMAO]
MMV (MMAV)**



CMAF - MMAF/MMFF

